



HEILAND VISION
GERMANY GMBH

LED COLD LIGHT SOURCE

ORDER NO.: LED-ZONE VI 5X7

Replace the current light source of your enlarger with a long-term stable modern LED panel light. Individual adaptation is supplied by Heiland Vision Germany.

Using LEDs with the primary colors red, green, and blue allows controlling white light for focusing, as well as controlling any color separately. Even mixed light consisting of green and blue is possible. The luminous colors are adjusted for multigrade paper and deviate at most +/-2 nanometers from the specified wavelength.

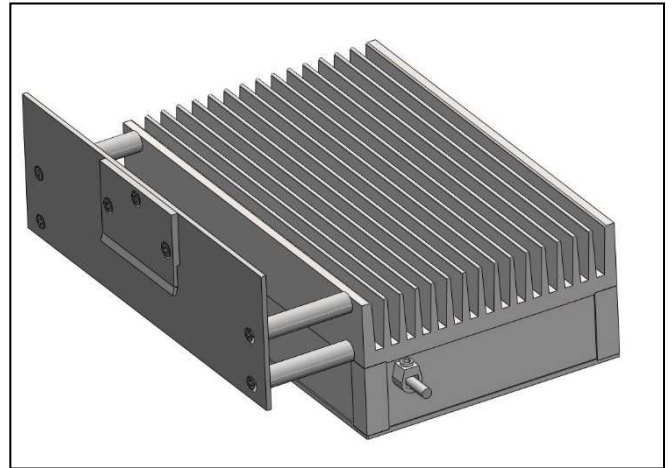
Precise switching on and off is easily possible even without a shutter. Gradation and intensity can be adjusted reproducibly.

Version for Zone VI up to 5x7 inch

More than 1600 LEDs and a diffusor plate positioned in front ensure an evenly illuminated area of 5x7inch. The LED cold light source replaces the complete lighting head and can be installed by the user. Electricity is supplied by an included 24V power supply unit.

When ordering, please choose your preferred version of controlling the light source:

- Exposure time controlled by a timer or an analyzer. Luminous colors, paper grade and intensity are adjusted with radio buttons in a separate control unit (order no.: LED_CTRL_CLAS). Large red digits indicate the pre-selected settings.
- Control by a Heiland Splitgrade system via an interface (order no.: LED_CTRL_SPLIT). All adjustments are made centrally at the Splitgrade control unit. This is the most convenient solution for your darkroom.



An overview of the benefits:

- Full contrast control of gradation 00 ... 5
- No light drift: stable light from 0.1 seconds on guarantees reproducible enlargement
- No fan: enlargement without vibration, noise, or dispersion of dust
- No heating of the negative, which prevents focus shift
- Easier positioning of paper and tools for dodging due to an integrated red light
- Extremely exposure- effective - allows significantly shorter exposure times than halogen light
- Variable exposure intensity for different magnification scales
- Replacing lamps is no longer necessary
- White light facilitates focusing
- Even illumination up to the corners
- Ideal solution for archives – no thermal strain of glass-plate negatives
- Long-living, solid metal construction